

# Serene Design Specifications

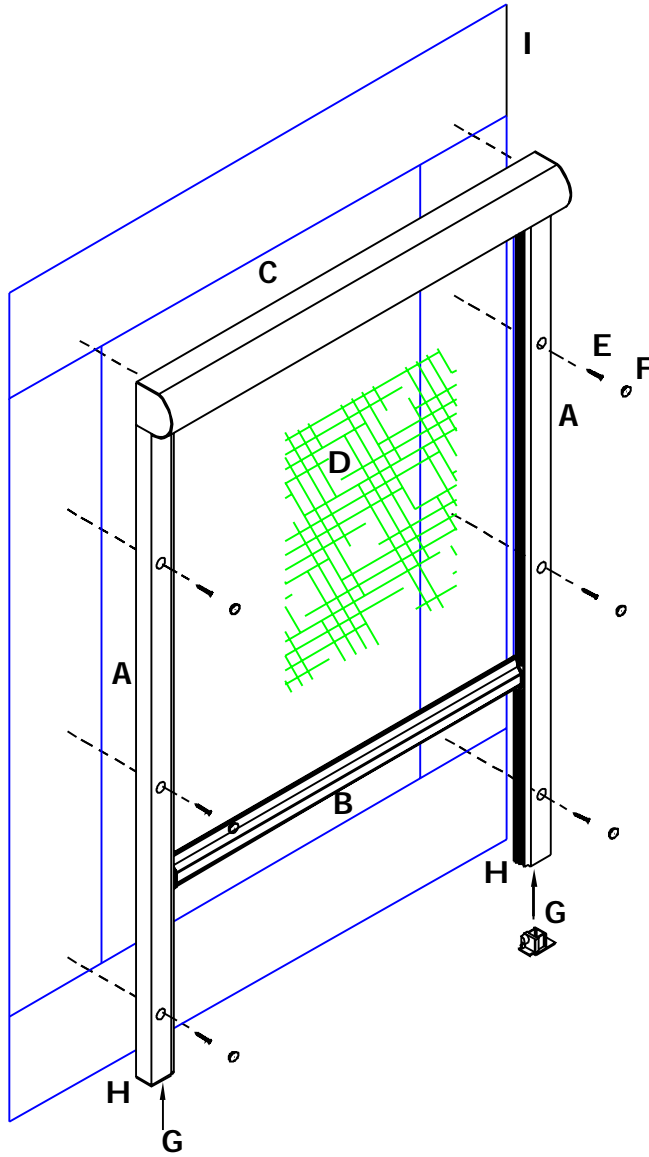
## External Assembled View

For Illustration Purposes Only - Not Drawn to Scale

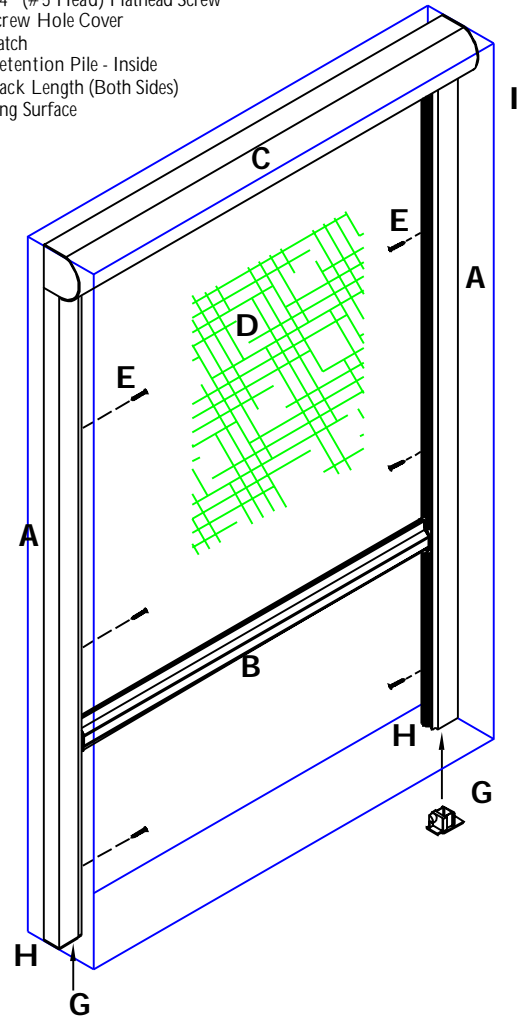
All Dimensions Are In Inches  
All components are color matched except the Mesh.

### Parts Spec

- A** Aluminum Track  
Standard Version - 57/64"w x 1-3/8"h  
Short Version - 57/64"w x 29/32"h
- B** Aluminum Slide Bar  
23/32"w x 1-13/32"h
- C** Aluminum Housing Assembly  
2-19/64"w x 2-7/64"h
- D** PVC Coated Fiberglass Mesh
- E** #6 x 3/4" (#5 Head) Flathead Screw
- F** Track Screw Hole Cover
- G** Track Latch
- H** Mesh Retention Pile - Inside  
Full Track Length (Both Sides)
- I** Mounting Surface



**SURFACE MOUNT APPLICATION**



**INSIDE JAMB MOUNT APPLICATION**

Creator: NDR	Date: 01/15/2008	Revision: Rev:
Drawing Title: PSSERPRODDDESIGNSPEC01		
© 2010 Phantom Mfg. Intl Ltd.		Scale: NTS